



CADDY



A - Patented one-form technology and ANSI-BIFMA X5.3-2007 certified

B - Full extension ball bearing sliders, each with maximum 35KG loading capacity

C - Interchangeable key lock and barrel system

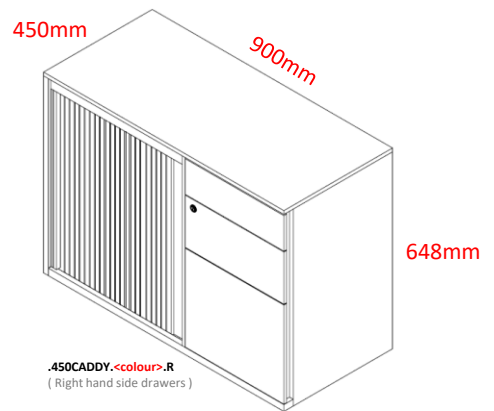
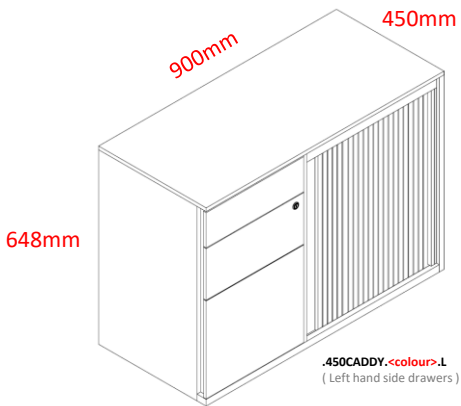
D - Fennel tambour door system with Aluminum slammer rails and magnetic strip

E - Environmentally friendly with 30% recycled raw material

F – Subtle premium powder coat finish



more images at <http://www.diami.com.au>



Premium power coat finish available stockexpress.*



< W >
(Pearl white)



< PSP >
(Precious silver pearl)

Options:

Specified Powder coat to full unit | Specified Powder coat to drawer front and/or top panel only | Cushion top in local fabric

