

diami.



ONEFORM
TECHNOLOGY

PEDESTAL EP-MINI

EP-MINI



A - Patented one-form technology and ANSI-BIFMA X5.3-2007 certified

B - Full extension ball bearing sliders, each with maximum 35KG loading capacity

C - Interchangeable key lock and barrel system

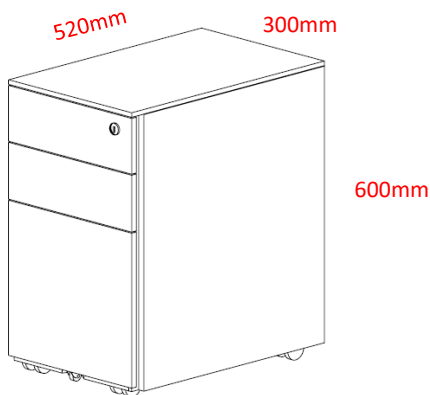
D - Locking castors with 5th wheel for counterweight protection

E - Environmentally friendly with 30% recycled raw material

F – Subtle premium powder coat finish



more images at <http://www.diami.com.au>



Premium powder coat finish available stockexpress.*



EP-MINI -W
(Pearl white)



EP-MINI-PSP
(Precious silver pearl)



EP-MINI-B
(Satin black)



Pencil tray



Full extension sliders



Fifth castor for stability



Filing drawer



Interchangeable lock barrels and master key

Options:

Specified Powder coat to full unit | Specified Powder coat to drawer front and/or top panel only | Cushion top in local fabric

